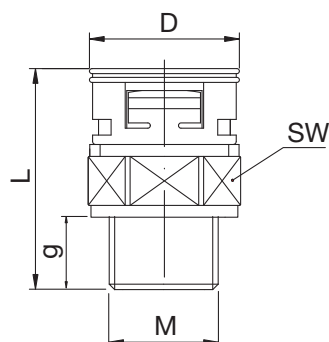


Raccordi IP67

Raccordo diritto filetto nylon metrico maschio, IP67	pag. 17
Raccordo 90° filetto nylon metrico maschio, IP67	pag. 18
Raccordo 45° filetto nylon metrico maschio, IP67	pag. 19
Raccordo diritto filetto nylon PG maschio, IP67	pag. 20
Raccordo 90° filetto nylon PG maschio, IP67	pag. 21
Raccordo 45° filetto nylon PG maschio, IP67	pag. 22
Raccordo diritto filetto metallico metrico maschio, IP67	pag. 23
Raccordo 90° filetto metallico metrico maschio, IP67	pag. 24
Raccordo 45° filetto metallico metrico maschio, IP67	pag. 25
Raccordo diritto filetto metallico PG maschio, IP67	pag. 26
Raccordo 90° filetto metallico PG maschio, IP67	pag. 27
Raccordo 45° filetto metallico PG maschio, IP67	pag. 28
Raccordo diritto filetto nylon GAS maschio, IP67	pag. 29
Raccordo 90° filetto nylon GAS maschio, IP67	pag. 30
Raccordo 45° filetto nylon GAS maschio, IP67	pag. 31
Raccordo diritto filetto nylon metrico femmina, IP67	pag. 32
Raccordo diritto filetto nylon PG femmina, IP67	pag. 33
Raccordo diritto ad incastro, IP67	pag. 33
Raccordo diritto UNEF/UNS femmina, IP67	pag. 34
Raccordi EMC	pag. 35



Raccordo diritto filetto nylon metrico maschio, con guarnizione integrata IP67



VP-G R G

VP-G R B

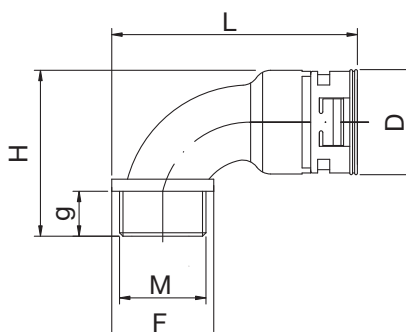


Codice grigio	nero	Diametro Nominale	M	g	D	L	SW	Peso kg/100 pz.	Conf. pz.
VP-G R G-10M12	VP-G R B-10M12	10	12x1,5	9,5	21,1	34,0	19	0,59	50
VP-G R G-10M16	VP-G R B-10M16	10	16x1,5	9,5	21,1	34,0	19	0,55	50
VP-G R G-10M20	VP-G R B-10M20	10	20x1,5	12,0	26,5	37,0	19	0,55	50
VP-G R G-12M16	VP-G R B-12M16	12	16x1,5	9,5	24,0	35,0	22	0,66	50
VP-G R G-12M20	VP-G R B-12M20	12	20x1,5	12,5	24,0	38,0	22	0,68	50
VP-G R G-17M20	VP-G R B-17M20	17	20x1,5	13,0	30,4	42,5	27	1,20	50
VP-G R G-17M25	VP-G R B-17M25	17	25x1,5	12,0	30,4	41,5	27	1,05	50
VP-G R G-17M32	VP-G R B-17M32	17	32x1,5	12,0	35,5	41,5	27	1,20	50
VP-G R G-23M25	VP-G R B-23M25	23	25x1,5	14,0	40,0	52,5	36	2,10	30
VP-G R G-23M32	VP-G R B-23M32	23	32x1,5	14,0	40,0	52,5	36	2,02	30
VP-G R G-29M32	VP-G R B-29M32	29	32x1,5	14,0	46,0	53,5	41	2,70	30
VP-G R G-29M40	VP-G R B-29M40	29	40x1,5	14,0	46,5	53,5	41	2,70	30
VP-G R G-36M40	VP-G R B-36M40	36	40x1,5	14,0	57,0	59,0	50	6,50	10
VP-G R G-36M50	VP-G R B-36M50	36	50x1,5	14,0	57,0	59,0	50	6,50	10
VP-G R G-48M50	VP-G R B-48M50	48	50x1,5	14,0	73,0	64,5	65	8,40	10
VP-G R G-48M63	VP-G R B-48M63	48	63x1,5	13,5	73,0	63,5	65	8,40	10

Altre misure disponibili a richiesta

* UL recognized File E 168970

Raccordo 90° curvo filetto nylon metrico maschio con guarnizione integrata, IP67



VP-B R G

VP-B R B

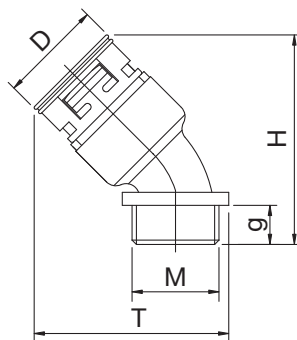


Codice grigio	nero	Diametro Nominale	M	g	D	L	H	F	Peso kg/100 pz.	Conf. pz.
VP-B R G-10M16	VP-B R B-10M16	10	16 x1,5	11,0	21,1	56,0	37,6	20,0	0,73	50
VP-B R G-10M20	VP-B R B-10M20	10	20 x1,5	11,0	21,1	59,3	37,6	26,5	0,79	50
VP-B R G-12M16	VP-B R B-12M16	12	16 x1,5	11,0	24,3	59,3	41,0	24,5	1,00	50
VP-B R G-12M20	VP-B R B-12M20	12	20 x1,5	11,0	24,3	59,3	41,0	24,5	1,06	50
VP-B R G-17M20	VP-B R B-17M20	17	20 x1,5	13,0	30,4	68,5	48,2	24,5	1,72	50
VP-B R G-17M25	VP-B R B-17M25	17	25 x1,5	13,5	30,4	71,0	48,2	29,5	1,73	50
VP-B R G-23M25	VP-B R B-23M25	23	25 x1,5	14,0	40,0	87,8	59,0	35,0	2,50	30
VP-B R G-23M32	VP-B R B-23M32	23	32 x1,5	14,0	40,0	88,1	59,0	35,5	2,66	30
VP-B R G-29M32	VP-B R B-29M32	29	32 x1,5	14,0	46,0	98,0	66,0	43,0	4,30	30
VP-B R G-29M40	VP-B R B-29M40	29	40 x1,5	14,0	46,0	99,0	66,0	45,0	4,56	30
VP-B R G-36M40	VP-B R B-36M40	36	40 x1,5	14,0	56,0	110,4	78,0	49,5	8,00	10
VP-B R G-36M50	VP-B R B-36M50	36	50 x1,5	14,0	56,0	113,4	78,0	55,5	8,27	10
VP-B R G-48M50	VP-B R B-48M50	48	50 x1,5	14,0	70,0	129,5	91,5	59,5	11,90	10
VP-B R G-48M63	VP-B R B-48M63	48	63 x1,5	14,0	70,0	134,0	91,5	68,5	12,19	10

Altre misure disponibili a richiesta

* UL recognized File E 168970

Raccordo 45° curvo filetto nylon metrico maschio con guarnizione integrata, IP67



VP-A R G

VP-A R B

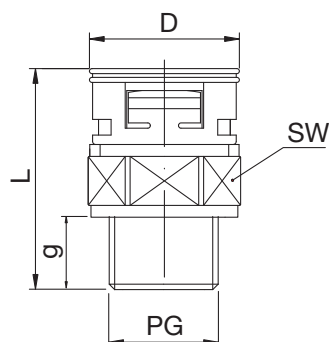


Codice grigio	nero	Diametro Nominale	M	g	D	H	T	Peso kg/100 pz.	Conf. pz.
VP-A R G-10M16	VP-A R B-10M16	10	16 x1,5	10,0	21,1	46,0	41,4	0,73	50
VP-A R G-10M20	VP-A R B-10M20	10	20 x1,5	9,9	21,2	46,5	44,7	0,76	50
VP-A R G-12M16	VP-A R B-12M16	12	16 x1,5	8,7	24,3	50,0	44,8	1,00	50
VP-A R G-12M20	VP-A R B-12M20	12	20 x1,5	11,9	24,3	50,0	44,8	1,02	50
VP-A R G-17M20	VP-A R B-17M20	17	20 x1,5	14,7	30,4	58,0	52,0	1,52	50
VP-A R G-17M25	VP-A R B-17M25	17	25 x1,5	16,7	30,4	58,0	54,5	1,53	50
VP-A R G-23M25	VP-A R B-23M25	23	25 x1,5	20,1	40,0	70,5	67,0	2,60	30
VP-A R G-23M32	VP-A R B-23M32	23	32 x1,5	22,1	40,0	70,5	67,3	2,75	30
VP-A R G-29M32	VP-A R B-29M32	29	32 x1,5	25,7	46,0	77,0	75,7	3,55	30
VP-A R G-29M40	VP-A R B-29M40	29	40 x1,5	28,6	46,0	77,0	77,0	3,80	30
VP-A R G-36M40	VP-A R B-36M40	36	40 x1,5	28,5	56,0	91,5	88,5	6,97	10
VP-A R G-36M50	VP-A R B-36M50	36	50 x1,5	35,7	56,0	91,5	91,3	6,97	10
VP-A R G-48M50	VP-A R B-48M50	48	50 x1,5	41,2	70,0	104,5	105,5	11,59	10
VP-A R G-48M63	VP-A R B-48M63	48	63 x1,5	49,0	70,0	104,5	110,0	10,17	10

Altre misure disponibili a richiesta

* UL recognized File E 168970

Raccordo diritto filetto nylon PG maschio con guarnizione integrata, IP67



VP-G R G

VP-G R B

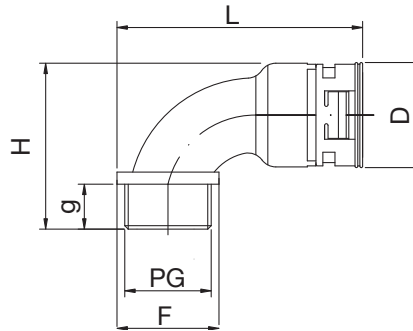


Codice grigio	nero	Diametro Nominale	PG	g	D	L	SW	Peso kg/100 pz.	Conf. pz.
VP-G R G-10P07	VP-G R B-10P07	10	07	12,0	21,1	36,5	19	0,48	50
VP-G R G-10P07K	VP-G R B-10P07K	10	07	8,0	21,1	32,5	19	0,45	50
VP-G R G-10P09	VP-G R B-10P09	10	09	12,0	21,1	36,5	19	0,48	50
VP-G R G-10P09K	VP-G R B-10P09K	10	09	8,0	21,1	32,5	19	0,47	50
VP-G R G-10P11	VP-G R B-10P11	10	11	12,0	21,1	36,5	19	0,59	50
VP-G R G-10P11K	VP-G R B-10P11K	10	11	8,0	21,1	32,5	19	0,50	50
VP-G R G-10P13	VP-G R B-10P13	10	13,5	12,0	23,5	37,0	19	0,55	50
VP-G R G-12P09	VP-G R B-12P09	12	09	12,5	24,0	38,0	22	0,60	50
VP-G R G-12P11	VP-G R B-12P11	12	11	12,5	24,0	38,0	22	0,65	50
VP-G R G-12P11K	VP-G R B-12P11K	12	11	8,0	24,0	33,5	22	0,62	50
VP-G R G-12P13	VP-G R B-12P13	12	13,5	12,5	24,0	38,0	22	0,66	50
VP-G R G-17P11	VP-G R B-17P11	17	11	12,5	30,4	42,0	27	1,10	50
VP-G R G-17P13	VP-G R B-17P13	17	13,5	13,0	30,4	42,5	27	1,10	50
VP-G R G-17P16	VP-G R B-17P16	17	16	13,0	30,4	42,5	27	1,10	50
VP-G R G-17P16K	VP-G R B-17P16K	17	16	8,0	30,4	37,5	27	0,90	50
VP-G R G-17P21	VP-G R B-17P21	17	21	12,5	33,0	42,0	27	1,20	50
VP-G R G-23P16	VP-G R B-23P16	23	16	14,0	40,0	52,5	36	2,10	50
VP-G R G-23P21	VP-G R B-23P21	23	21	14,0	40,0	52,5	36	2,10	30
VP-G R G-29P29	VP-G R B-29P29	29	29	14,0	46,0	53,5	41	2,70	30
VP-G R G-36P29	VP-G R B-36P29	36	29	14,0	57,0	59,0	50	4,07	10
VP-G R G-36P36	VP-G R B-36P36	36	36	14,0	57,0	59,0	50	6,50	10
VP-G R G-48P42	VP-G R B-48P42	48	42	15,0	73,0	65,0	65	8,40	10
VP-G R G-48P48	VP-G R B-48P48	48	48	14,5	73,0	64,5	65	8,40	10

Altre misure disponibili a richiesta

* UL recognized File E 168970

Raccordo 90° curvo filetto nylon PG maschio con guarnizione integrata, IP67



VP-B R G

VP-B R B

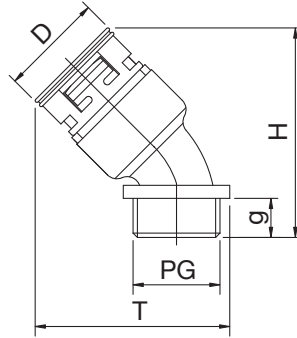


Codice grigio	nero	Diametro Nominale	PG	g	D	L	H	F	Peso kg/100 pz.	Conf. pz.
VP-B R G-10P09	VP-B R B-10P09	10	09	11,0	21,1	56,0	37,6	20,0	0,88	50
VP-B R G-10P11	VP-B R B-10P11	10	11	11,0	21,1	57,3	37,6	22,5	0,92	50
VP-B R G-10P13	VP-B R B-10P13	10	13,5	11,0	21,1	58,3	37,6	24,5	0,96	50
VP-B R G-12P11	VP-B R B-12P11	12	11	11,0	24,3	58,5	41,0	23,0	1,20	50
VP-B R G-12P13	VP-B R B-12P13	12	13,5	11,0	24,3	59,3	41,0	24,5	1,27	50
VP-B R G-17P13	VP-B R B-17P13	17	13,5	13,0	30,4	69,8	48,2	27,0	2,00	50
VP-B R G-17P16	VP-B R B-17P16	17	16	13,0	30,4	70,0	48,2	27,5	2,00	50
VP-B R G-23P21	VP-B R B-23P21	23	21	14,0	40,0	87,8	59,0	35,0	3,10	30
VP-B R G-29P29	VP-B R B-29P29	29	29	14,0	46,0	98,3	66,0	43,5	4,60	30
VP-B R G-36P36	VP-B R B-36P36	36	36	14,0	56,0	112,6	78,0	54,0	8,40	10
VP-B R G-48P48	VP-B R B-48P48	48	48	14,0	70,0	132,8	91,5	65,0	12,30	10

Altre misure disponibili a richiesta

* UL recognized File E 168970

Raccordo 45° filetto nylon PG maschio, con guarnizione integrata IP67



VP-A R G

VP-A R B

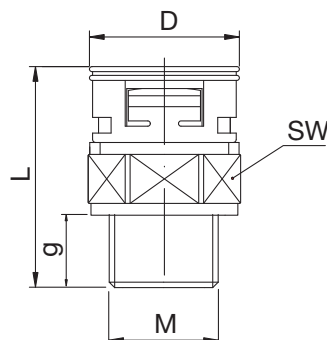


Codice grigio	Codice nero	Diametro Nominale	PG	g	D	H	T	Peso kg/100 pz.	Conf. pz.
VP-A R G-10P09	VP-A R B-10P09	10	09	11,0	21,1	46,5	41,4	0,70	50
VP-A R G-12P11	VP-A R B-12P11	12	11	11,0	24,3	50,0	44,0	1,00	50
VP-A R G-17P16	VP-A R B-17P16	17	16	13,0	30,4	58,0	53,5	1,54	50
VP-A R G-23P21	VP-A R B-23P21	23	21	14,0	40,0	70,5	67,0	2,78	30
VP-A R G-29P29	VP-A R B-29P29	29	29	14,0	46,0	77,0	76,0	3,87	30
VP-A R G-36P36	VP-A R B-36P36	36	36	14,0	56,0	91,5	90,3	7,30	10
VP-A R G-48P48	VP-A R B-48P48	48	48	14,0	70,0	104,5	108,2	10,20	10

Altre misure disponibili a richiesta

* UL recognized File E 168970

Raccordo diritto filetto metallico metrico maschio, con guarnizione integrata IP67



VM-G R G

VM-G R B

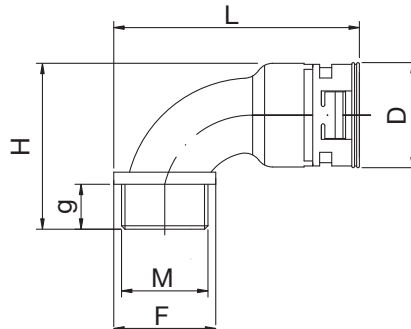


Codice grigio	nero	Diametro Nominale	M	g	D	L	SW	Peso kg/100 pz.	Conf. pz.
VM-G R G-10M16	VM-G R B-10M16	10	16x1,5	12,0	21,1	37,5	19	0,92	30
VM-G R G-10M20	VM-G R B-10M20	10	20x1,5	12,0	25,0	38,0	19	0,92	30
VM-G R G-12M16	VM-G R B-12M16	12	16x1,5	12,0	24,0	39,0	22	1,63	30
VM-G R G-12M20	VM-G R B-12M20	12	20x1,5	12,0	25,0	39,0	22	1,65	30
VM-G R G-17M20	VM-G R B-17M20	17	20x1,5	12,0	30,4	41,5	27	2,30	30
VM-G R G-17M25	VM-G R B-17M25	17	25x1,5	14,0	32,0	43,5	27	2,35	30
VM-G R G-23M25	VM-G R B-23M25	23	25x1,5	14,0	40,0	52,5	36	4,24	30
VM-G R G-23M32	VM-G R B-23M32	23	32x1,5	14,0	40,0	52,5	36	4,18	30
VM-G R G-29M32	VM-G R B-29M32	29	32x1,5	14,0	46,0	53,5	41	6,18	20
VM-G R G-29M40	VM-G R B-29M40	29	40x1,5	14,0	46,5	53,5	41	6,09	20
VM-G R G-36M40	VM-G R B-36M40	36	40x1,5	14,0	57,0	60,0	50	9,00	10
VM-G R G-36M50	VM-G R B-36M50	36	50x1,5	18,0	60,5	64,5	50	11,56	10
VM-G R G-48M50	VM-G R B-48M50	48	50x1,5						10
VM-G R G-48M63	VM-G R B-48M63	48	63x1,5	15,5	73,0	69,0	65	15,52	10

Altre misure disponibili a richiesta

* UL recognized File E 168970

Raccordo 90° curvo filetto metallico metrico maschio con guarnizione integrata, IP67



VM-B R G

VM-B R B

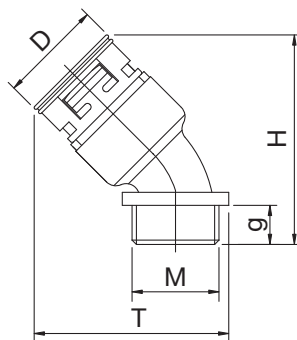


Codice grigio	nero	Diametro Nominale	M	g	D	L	H	F	Peso kg/100 pz.	Conf. pz.
VM-B R G-10M16	VM-B R B-10M16	10	16 x1,5	11,0	21,1	58,0	38,1	24,0	1,24	30
VM-B R G-10M20	VM-B R B-10M20	10	20 x1,5						1,14	30
VM-B R G-12M16	VM-B R B-12M16	12	16 x1,5	11,0	24,3	59,6	41,0	25,0	1,84	30
VM-B R G-12M20	VM-B R B-12M20	12	20 x1,5	12,0	24,3	58,8	42,0	23,5	1,84	30
VM-B R G-17M20	VM-B R B-17M20	17	20 x1,5	13,0	30,4	70,0	48,2	27,5	2,58	30
VM-B R G-17M25	VM-B R B-17M25	17	25 x1,5	13,0	30,4	72,8	48,2	33,0	2,59	30
VM-B R G-23M32	VM-B R B-23M32	23	32 x1,5	14,0	40,0	91,9	59,0	43,0	4,44	30
VM-B R G-29M32	VM-B R B-29M32	29	32 x1,5	14,0	46,0	98,3	66,0	43,5	6,80	20
VM-B R G-29M40	VM-B R B-29M40	29	40 x1,5	14,0	46,0	102,0	66,5	51,0	7,05	20
VM-B R G-36M40	VM-B R B-36M40	36	40 x1,5	14,0	56,0	111,2	78,0	51,0	9,90	10
VM-B R G-36M50	VM-B R B-36M50	36	50 x1,5	14,0	56,0	116,2	78,0	61,0	10,58	10
VM-B R G-48M63	VM-B R B-48M63	48	63 x1,5	14,0	70,0	134,8	91,0	70,0	17,48	10

Altre misure disponibili a richiesta

* UL recognized File E 168970

Raccordo 45° curvo filetto metallico metrico maschio con guarnizione integrata, IP67



VM-A R G

VM-A R B

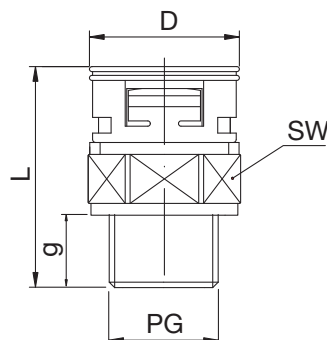


Codice grigio	nero	Diametro Nominale	M	g	D	H	T	Peso kg/100 pz.	Conf. pz.
VM-A R G-10M16	VM-A R B-10M16	10	16 x1,5	11,0	21,30	46,50	41,85	1,12	30
VM-A R G-10M20	VM-A R B-10M20	10	20 x1,5					1,14	30
VM-A R G-12M16	VM-A R B-12M16	12	16 x1,5	11,0	24,20	50,50	44,90	1,65	30
VM-A R G-12M20	VM-A R B-12M20	12	20 x1,5	12,0	24,20	50,50	44,90	1,65	30
VM-A R G-17M20	VM-A R B-17M20	17	20 x1,5	13,0	30,60	54,00	52,85	3,25	30
VM-A R G-17M25	VM-A R B-17M25	17	25 x1,5	13,0	30,60	58,40	52,85	3,29	30
VM-A R G-23M32	VM-A R B-23M32	23	32 x1,5	14,0	38,35	69,90	67,75	4,12	30
VM-A R G-29M32	VM-A R B-29M32	29	32 x1,5	14,0	45,50	77,25	76,65	5,80	30
VM-A R G-29M40	VM-A R B-29M40	29	40 x1,5	14,0	45,50	77,25	76,65	5,80	30
VM-A R G-36M40	VM-A R B-36M40	36	40 x1,5	14,0	56,00	92,35	91,45	10,10	10
VM-A R G-36M50	VM-A R B-36M50	36	50 x1,5	14,0	56,00	92,35	91,45	10,10	10
VM-A R G-48M63	VM-A R B-48M63	48	63 x1,5	14,0	70,00	106,05	108,80	15,57	10

Altre misure disponibili a richiesta

* UL recognized File E 168970

Raccordo diritto filetto metallico PG maschio, con guarnizione integrata IP67



VM-G R G

VM-G R B

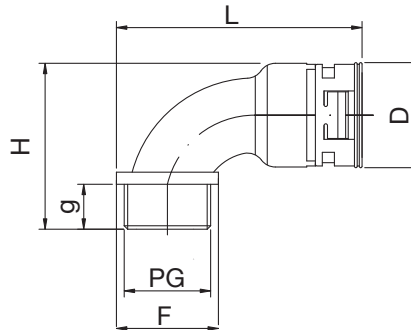


Codice grigio	nero	Diametro Nominale	PG	g	D	L	SW	Peso kg/100 pz.	Conf. pz.
VM-G R G-10P09	VM-G R B-10P09	10	09	12,0	21,5	37,5	19	1,05	30
VM-G R G-12P11	VM-G R B-12P11	12	11	12,0	24,0	38,5	22	1,63	30
VM-G R G-17P13	VM-G R B-17P13	17	13,5	12,0	30,4	41,5	27	2,15	30
VM-G R G-17P16	VM-G R B-17P16	17	16	12,0	30,4	41,5	27	2,30	30
VM-G R G-23P21	VM-G R B-23P21	23	21	14,0	40,0	52,5	36	4,24	30
VM-G R G-29P29	VM-G R B-29P29	29	29	14,0	46,0	53,5	41	6,18	20
VM-G R G-36P36	VM-G R B-36P36	36	36	17,0	57,0	63,5	50	11,60	10
VM-G R G-48P48	VM-G R B-48P48	48	48	17,0	73,0	68,5	65	18,40	10

Altre misure disponibili a richiesta

* UL recognized File E 168970

Raccordo 90° curvo filetto metallico PG maschio con guarnizione integrata, IP67



VM-B R G

VM-B R B

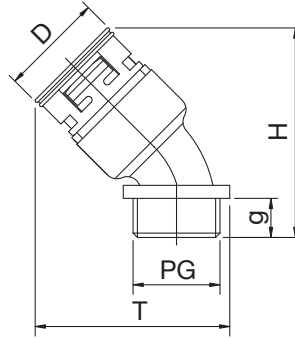


Codice grigio	nero	Diametro Nominale	PG	g	D	L	H	F	Peso kg/100 pz.	Conf. pz.
VM-B R G-10P09	VM-B R B-10P09	10	09	11,0	21,1	56,3	37,6	20,5		30
VM-B R G-10P11	VM-B R B-10P11	10	11	11,0	21,1	58,1	38,1	24,0		30
VM-B R G-10P13	VM-B R B-10P13	10	13,5							30
VM-B R G-12P11	VM-B R B-12P11	12	11	11,0	24,3	58,8	41,0	23,5		30
VM-B R G-12P13	VM-B R B-12P13	12	13,5	11,0	24,3	60,0	41,0	24,5		30
VM-B R G-17P13	VM-B R B-17P13	17	13,5	13,0	30,4	70,0	48,2	27,5	2,70	30
VM-B R G-17P16	VM-B R B-17P16	17	16	13,0	30,4	70,0	48,2	27,5	2,80	30
VM-B R G-23P21	VM-B R B-23P21	23	21	14,0	40,0	88,1	59,0	35,5	4,50	30
VM-B R G-29P29	VM-B R B-29P29	29	29	14,0	46,0	98,3	66,0	43,5	7,05	20
VM-B R G-36P36	VM-B R B-36P36	36	36	14,0	56,0	113,1	78,0	55,0	11,80	10
VM-B R G-48P48	VM-B R B-48P48	48	48	14,0	70,0	133,6	91,0	66,5		10

Altre misure disponibili a richiesta

* UL recognized File E 168970

Raccordo 45° filetto metallico PG maschio, con guarnizione integrata IP67



VM-A R G

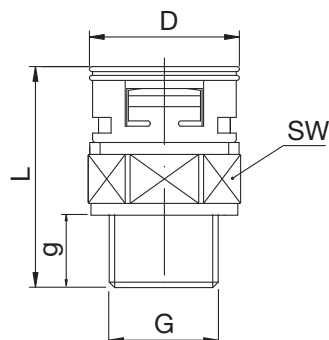
VM-A R B



Codice grigio	nero	Diametro Nominale	PG	g	D	H	T	Peso kg/100 pz.	Conf. pz.
VM-A R G-10P09	VM-A R B-10P09	10	09	11	21,1	47,0	43,4		30
VM-A R G-12P11	VM-A R B-12P11	12	11	11	24,3	50,0	43,7		30
VM-A R G-17P13	VM-A R B-17P13	17	13	13	30,4	58,5	53,2		30
VM-A R G-17P16	VM-A R B-17P16	17	16	13	30,4	58,5	53,2	2,40	30
VM-A R G-23P21	VM-A R B-23P21	23	21	14	40,0	71,0	67,0		30
VM-A R G-29P29	VM-A R B-29P29	29	29	14	46,0	77,6	76,2	6,20	20
VM-A R G-36P36	VM-A R B-36P36	36	36	14	56,0	91,7	90,5		10
VM-A R G-48P48	VM-A R B-48P48	48	48	14	70,0	105,5	109,4		10

* UL recognized File E 168970

Raccordo diritto filetto nylon GAS maschio, con guarnizione integrata IP67



VP-G R G

VP-G R B

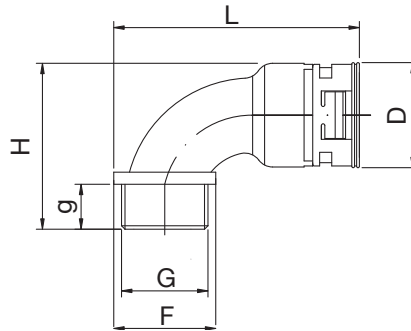


Codice grigio	nero	Diametro Nominale	G	g	D	L	SW	Peso kg/100 pz.	Conf. pz.
PA-G O G-07G00**	PA-G O B-07G00**	07	1/4"	9,7	18,5	36,0	15	0,34	50
VP-G R G-10G00	VP-G R B-10G00	10	1/4"	12,0	21,1	36,5	19	0,48	50
VP-G R G-12G01	VP-G R B-12G01	12	3/8"	12,0	24,0	37,5	22	0,60	50
VP-G R G-12G02	VP-G R B-12G02	12	1/2"	12,0	24,5	37,5	22	0,65	50
VP-G R G-17G02	VP-G R B-17G02	17	1/2"	12,0	30,4	41,5	27	1,10	50
VP-G R G-23G03	VP-G R B-23G03	23	3/4"	14,0	40,0	52,5	36	2,10	30
VP-G R G-29G04	VP-G R B-29G04	29	1"	14,0	46,0	53,5	41	2,70	30
VP-G R G-36G05	VP-G R B-36G05	36	1 1/4"	14,0	57,0	59,0	50	6,50	10
VP-G R G-48G06	VP-G R B-48G06	48	1 1/2"	14,0	73,0	64,0	65	8,40	10
VP-G R G-48G07	VP-G R B-48G07	48	2"	14,0	73,0	64,0	65	8,40	10

** IP54

* UL recognized File E 168970

Raccordo 90° filetto nylon GAS maschio, con guarnizione integrata IP67



VP-B R G

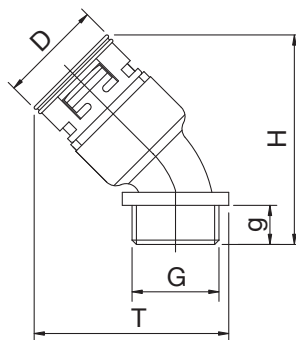
VP-B R B



Codice grigio	nero	Diametro Nominale	G	g	D	L	H	F	Peso kg/100 pz.	Conf. pz.
VP-B R G-10G01	VP-B R B-10G01	10	3/8"	11	21,1	56,0	37,6	20,0	0,90	50
VP-B R G-12G01	VP-B R B-12G01	12	3/8"	11	24,3	58,5	41,0	23,0	1,20	50
VP-B R G-17G02	VP-B R B-17G02	17	1/2"	13	30,4	69,8	48,2	27,0	1,90	50
VP-B R G-23G03	VP-B R B-23G03	23	3/4"	14	40,0	87,8	59,0	35,0	3,10	30
VP-B R G-29G04	VP-B R B-29G04	29	1"	14	46,0	98,0	66,0	43,0	4,60	30
VP-B R G-36G05	VP-B R B-36G05	36	1 1/4"	14	56,0	112,4	78,0	53,5	8,90	10
VP-B R G-48G07	VP-B R B-48G07	48	2"	14	70,0	132,8	91,5	65,0	12,30	10

* UL recognized File E 168970

Raccordo 45° filetto nylon GAS maschio, con guarnizione integrata IP67



VP-A R G

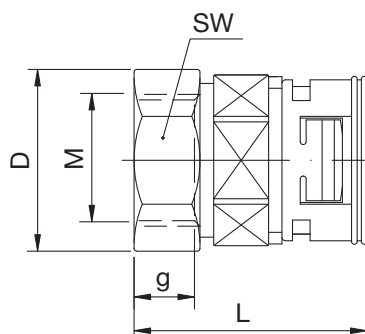
VP-A R B



Codice grigio	nero	Diametro Nominale	G	g	D	H	T	Peso kg/100 pz.	Conf. pz.
VP-A R G-10G01	VP-A R B-10G01	10	3/8"	11	21,1	46,5	41,4	0,70	50
VP-A R G-12G01	VP-A R B-12G01	12	3/8"	11	24,3	50,5	44,0	1,00	50
VP-A R G-17G02	VP-A R B-17G02	17	1/2"	13	30,4	58,0	53,2	1,54	50
VP-A R G-23G03	VP-A R B-23G03	23	3/4"	14	40,0	70,5	67,0	2,78	30
VP-A R G-29G04	VP-A R B-29G04	29	1"	14	46,0	77,0	76,0	3,87	30
VP-A R G-36G05	VP-A R B-36G05	36	1 1/4"	14	56,0	91,5	90,5	7,17	10
VP-A R G-48G07	VP-A R B-48G07	48	2"	14	70,0	104,5	108,2	10,17	10

* UL recognized File E 168970

Raccordo diritto filetto nylon metrico femmina, IP67



VP-I R G

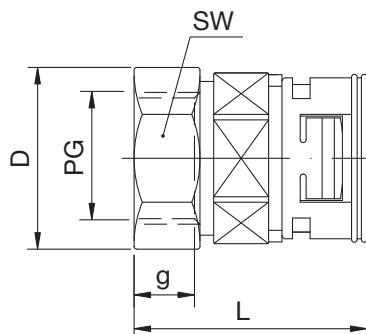
VP-I R B



Codice grigio	nero	Diametro Nominale	M	g	L	D	SW	Peso kg/100 pz.	Conf. pz.
VP-I R G-10M121	VP-I R B-10M121	10	12 x 1,0						
VP-I R G-10M181	VP-I R B-10M181	10	18 x 1,0						
VP-I R G-10M16	VP-I R B-10M16	10	16 x 1,5	12,0	36,0	21,1	19	0,57	50
VP-I R G-12M16	VP-I R B-12M16	12	16 x 1,5	12,0	37,0	24,0	19	0,68	50
VP-I R G-12M20	VP-I R B-12M20	12	20 x 1,5	12,0	38,5	27,0	24		50
VP-I R G-17M20	VP-I R B-17M20	17	20 x 1,5	16,0	43,0	30,4	27	1,22	50
VP-I R G-17M25	VP-I R B-17M25	17	25 x 1,5	15,0	43,0	33,5	30		50
VP-I R G-23M25	VP-I R B-23M25	23	25 x 1,5	17,0	53,0	40,0	32	2,68	30
VP-I R G-23M32	VP-I R B-23M32	23	32 x 1,5	15,0	53,0	42,5	38		30
VP-I R G-29M32	VP-I R B-29M32	29	32 x 1,5	16,5	53,5	46,0	36	2,82	30
VP-I R G-29M40	VP-I R B-29M40	29	40 x 1,5	15,0	54,0	50,5	46		30
VP-I R G-36M40	VP-I R B-36M40	36	40 x 1,5	20,0	63,5	57,0	46	7,00	10
VP-I R G-36M50	VP-I R B-36M50	36	50 x 1,5	20,0	63,0	62,0	57		10
VP-I R G-48M50	VP-I R B-48M50	48	50 x 1,5	21,0	68,0	73,0	60	9,00	10
VP-I R G-48M63	VP-I R B-48M63	48	63 x 1,5	21,0	68,0	78,3	70		10

* UL recognized File E 168970

Raccordo diritto filetto nylon PG femmina, con guarnizione integrata IP67



VP-I R G

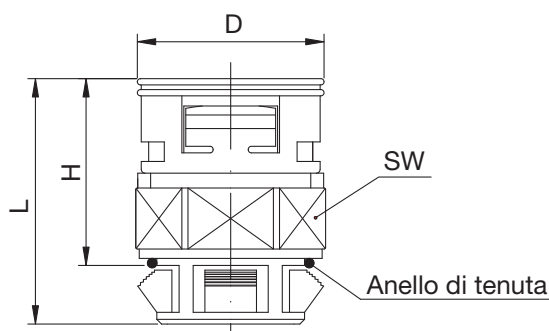
VP-I R B



Codice grigio	Codice nero	Diametro Nominale	PG	g	L	D	SW	Peso kg/100 pz.	Conf. pz.
VP-I R G-10P07	VP-I R B-10P07	10	07	12,0	36,5	21,1	17	0,57	50
VP-I R G-10P09	VP-I R B-10P09	10	09	12,0	35,5	21,7	19	0,57	50
VP-I R G-12P11	VP-I R B-12P11	12	11	13,0	38,5	24,8	22	0,68	50
VP-I R G-12P13	VP-I R B-12P13	12	13,5	11,0	38,5	27,0	24	0,76	50
VP-I R G-17P13	VP-I R B-17P13	17	13,5	13,5	40,5	30,4	27	1,22	50
VP-I R G-17P16	VP-I R B-17P16	17	16	13,0	40,5	33,2	30	1,06	50
VP-I R G-23P21	VP-I R B-23P21	23	21	14,5	51,5	40,0	32	2,68	30
VP-I R G-29P29	VP-I R B-29P29	29	29	18,5	56,5	47,5	42	2,82	30
VP-I R G-36P36	VP-I R B-36P36	36	36	21,0	65,0	59,8	54	7,00	10
VP-I R G-48P48	VP-I R B-48P48	48	48	21,0	70,0	73,0	65	9,00	10

* UL recognized File E 168970

Raccordo diritto ad incastro, IP67



VP-G V G

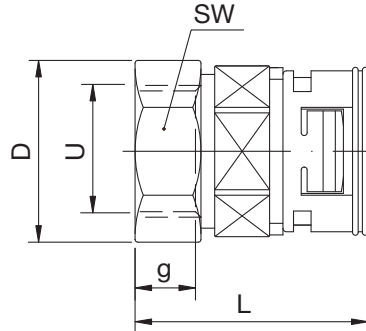
VP-G V B



Codice grigio	Codice nero	Diametro Nominale	Foro per PG	Foro Ø B	H	L	D	W	Peso kg/100 pz.	Conf. pz.
VP-G V G-10S15	VP-G V B-10S15	10	09	15,2	26,5	38,0	21,1	19	0,56	50
VP-G V G-12S19	VP-G V B-12S19	12	11	18,6	27,0	39,0	24,0	22	0,64	50
VP-G V G-17S22	VP-G V B-17S22	17	16	22,5	30,0	42,0	30,4	27	1,10	50
VP-G V G-23S28	VP-G V B-23S28	23	21	28,3	39,5	52,0	40,0	36	2,22	30
VP-G V G-23S32	VP-G V B-23S32	23	M32	32,2	39,0	51,5	40,0	36	2,00	30
VP-G V G-29S37	VP-G V B-29S37	29	29	37,0	41,0	57,5	46,0	41	2,98	30

Il raccordo si adatta a fori per filetto PG. Non sono necessari la filettatura interna e il controdado. Lo spessore della parete deve essere 1-2,5 mm.

Raccordo diritto filetto UNEF/UNS femmina, con guarnizione integrata IP67



VP-I R G

VP-I R B

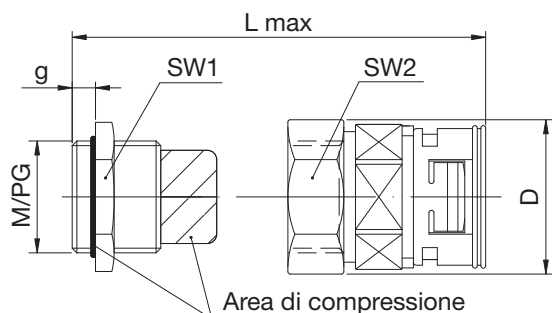


Codice grigio	nero	Diametro Nominale	U	g	L	D	SW	Peso kg/100 pz.	Conf. pz.
VP-I R G-10U05	VP-I R B-10U05	10	5/8"-24	12,0	36,0	21,5	19	0,55	50
VP-I R G-10U07	VP-I R B-10U07	10	3/4"-20	12,0	37,0	27,0	24	0,74	50
VP-I R G-12U05	VP-I R B-12U05	12	5/8"-24	12,0	37,0	24,0	19	0,63	50
VP-I R G-12U06	VP-I R B-12U06	12	11/16"-24	13,0	38,5	25,0	22	0,76	50
VP-I R G-12U07	VP-I R B-12U07	12	3/4"-20	11,0	37,5	27,1	24	0,81	50
VP-I R G-12U09	VP-I R B-12U09	12	7/8"-20	12,0	38,5	30,2	27	0,79	50
VP-I R G-12U10	VP-I R B-12U10	12	15/16"-20	11,0	38,5	30,2	27	0,79	50
VP-I R G-17U07	VP-I R B-17U07	17	3/4"-20	16,0	42,5	30,4	24		50
VP-I R G-17U09	VP-I R B-17U09	17	7/8"-20	15,5	42,5	30,4	27	1,00	50
VP-I R G-17U10	VP-I R B-17U10	17	15/16"-20	15,0	43,0	30,5	27	1,00	50
VP-I R G-17U11	VP-I R B-17U11	17	1"-20	14,5	43,0	33,7	30	1,10	50
VP-I R G-17U14	VP-I R B-17U14	17	13/16"-18	12,5	43,5	37,8	34	1,20	50
VP-I R G-17U17	VP-I R B-17U17	17	13/8"-18	12,5	44,0	40,5	37	1,30	50
VP-I R G-23U14	VP-I R B-23U14	23	13/16"-12	6,5	46,5	40,0	36	2,16	30
VP-I R G-23U17	VP-I R B-23U17	23	13/8"-18	14,5	53,0	40,5	38	2,10	30
VP-I R G-23U18	VP-I R B-23U18	23	17/16"-18	14,5	55,0	43,5	36	2,68	30
VP-I R G-29U24	VP-I R B-29U24	29	2"-18 UNS	14,0	56,0	59,3	55	3,30	30

* UL recognized File E 168970

Raccordo EMC - Connettore EMC

Raccordo adattatore tubo/guaina



VM-E V B



E M V



VM-SVG VM S V B

VM-E V B

Codice nero	Diametro nominale	M/PG	g	Campo di serraggio	L max	D	SW1	SW2	Peso kg/100	Conf. pz.
VM-E V B-10M16	10	M16x1,5	7	9,0-4,5	53,0	25,0	20	24	3,50	30
VM-E V B-12M20	12	M20x1,5	8	17,5-7,0	60,0	30,5	24	28	4,75	30
VM-E V B-17M25	17	M25x1,5	8	16,5-9,0	63,0	37,5	29	34	7,28	30
VM-E V B-23M32	23	M32x1,5	9	21,0-11,0	77,0	45,5	36	41	12,74	30
VM-E V B-29M40	29	M40x1,5	9	28,0-19,0	85,0	57,0	45	50	20,34	20
VM-E V B-36M50	36	M50x1,5	10	35,0-27,0	95,0	68,0	54	60	29,10	10
VM-E V B-48M50	48	M50x1,5	10	35,0-27,0	98,0	68,0	54	60	32,20	10
VM-E V B-12P11	12	PG11	6	9,5-5,0	60,0	30,5	20	24	3,10	30
VM-E V B-17P16	17	PG16	6,5	14,0-8,5	63,0	30,5	24	28	4,70	30

E M V

Codice	M	Codice	PG
EMV M16	M16X1,5	EMV P16	16
EMV M20	M20X1,5	EMV P21	21
EMV M25	M25X1,5	EMV P29	29
EMV M32	M32X1,5	EMV P36	36
EMV M40	M40X1,5	EMV P48	48
EMV M50	M50X1,5		
EMV M63	M63X1,5		

Da utilizzare su raccordo con filetto metal ed eventuali ghiere equipotenziali (vedi pag 74)

VM-S V G VM-S V B

Codice grigio	Codice nero	Diametro Nominale	M	PG	Smooth tube OD	Insert depth	Conf. pz.
VM-S V G-12/18	VM-S V B-12/18	12	-	11	18,6	15,2	30
VM-S V G-17/22	VM-S V B-17/22	17	-	16	22,5	15,2	30
VM-S V G-17/20	VM-S V B-17/20	17	20	-	20,5	15,0	30
VM-S V G-17/25	VM-S V B-17/25	17	25	-	25,0	14,5	30
VM-S V G-23/28	VM-S V B-23/28	23	-	21	28,3	18,0	20
VM-S V G-29/32	VM-S V B-29/32	29	32	-	32,0	19,0	20
VM-S V G-29/37	VM-S V B-29/37	29	-	29	37,0	19,0	20
VM-S V G-36/40	VM-S V B-36/40	36	40	-	40,0	20,0	10
VM-S V G-36/47	VM-S V B-36/47	36	-	36	47,0	20,0	10
VM-S V G-48/59	VM-S V B-48/59	48	-	48	59,3	14,0	10